

CABLE LADDER SYSTEM

- **STRAIGHT CABLE LADDER**
- **FITTINGS**
- **ACCESSORIES**



Cable Ladder

Metalone manufactures a comprehensive range of cable ladder sections suitable for a variety of applications from light industrial to heavy mining installations.

Offered in three levels of performance – light, medium and heavy duty – the range of mild steel, stainless steel and aluminium cable ladders are carefully constructed using precision roll formed steel or extruded aluminium longitudinal side rails together with transverse perforated rung sections.

During the manufacturing process each side rail is pre punched with splice fixing holes to provide easy on site installation. The components are then assembled into purpose built manufacturing jigs where each rung is carefully welded to the side rail section.

The cable ladder range is available in the following levels of protection –

- **Hot Dip Galvanised** to ASTMA 123
- **Stainless Steel** to BS1449
- **Aluminium** to BS1866 / NEMA Standards
For full range see special edition catalog for Power and Energy sector.
- **Fibre Reinforced Plastic (FRP)**
For full range see special edition catalog for Power and Energy sector.
- **Powder Coating**
Epoxy / Polyester / Epoxy & Polyester
BS 3900/ISO 2409/ ISO 1519/ISO 1520
For above coating colors to be selected as per RAL Color codes

Design & deflection

Metalone cable ladder sections are designed and manufactured to achieve the loading requirements of the NEMA publication (National Electrical Manufacturers Association) and are available in various load and span performances from Nema 8 up to Nema 20.

A sample of each section has been tested and certified by a approved facility, ensuring that we continue to provide the benchmark in product performance.

All reported results are based on uniformly distributed static loads.

Whilst NEMA publication does not specify a limitation on deflection, a guide to deflection has been included for easy reference.

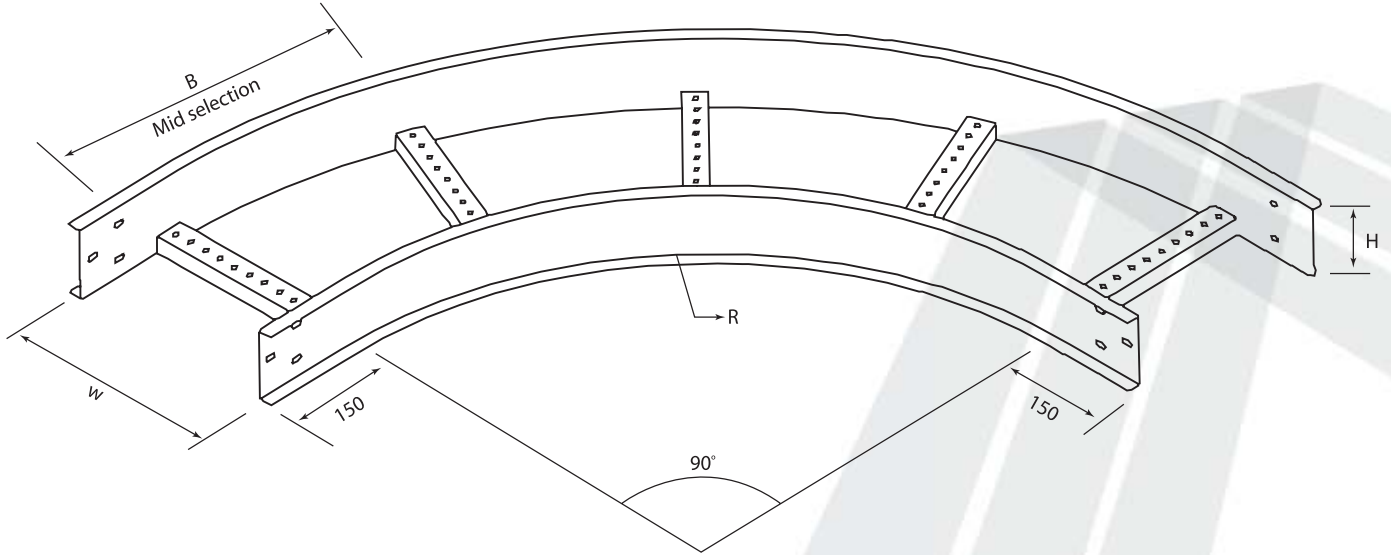
All cable support deflections, within this catalogue, pertain to continuous cable support systems and do not take into consideration simply supported or end bay sections.

It should be noted that the positioning of splice joints and loading techniques can significantly impact upon the actual deflection. Refer to Nema VE2 installation guidelines for further information.

Special consideration should always be given to live loads resulting from cable pulling to ensure this does not exceed the static cable support load limit.

All load results detailed in this section have been derived from testing 600mm wide sections of mild steel, and aluminium cable ladders in the various configurations.

Note: Please refer our special edition catalog for NEMA standard aluminium steel and stainless steel and FRP products.



Rung Spacing 300mm

Model	W	H	Thickness	Radius	Finish
MOLA15050ELB90	150	50			
MOLA20050ELB90	200	50			
MOLA25050ELB90	250	50			
MOLA30050ELB90	300	50			
MOLA15075ELB90	150	75			
MOLA20075ELB90	200	75			
MOLA25075ELB90	250	75			
MOLA30075ELB90	300	75			
MOLA150100ELB90	150	100			
MOLA200100ELB90	200	100			
MOLA250100ELB90	250	100			
MOLA300100ELB90	300	100			
MOLA400100ELB90	400	100			
MOLA450100ELB90	450	100			
MOLA500100ELB90	500	100			
MOLA600100ELB90	600	100			
MOLA750100ELB90	750	100			
MOLA900100ELB90	900	100			
MOLA1000100ELB90	1000	100			
MOLA200125ELB90	200	125			

As Straight Cable Ladder

300 to 900 (Standard Radius 300)

Hot Dip Galvanized - Epoxy or Polyester Coated
- Stainless Steel & Aluminum Alloy

Model	W	H	Thickness	Radius	Finish
MOLA250125EMB90	250	125			
MOLA300125ELB90	300	125			
MOLA400125ELB90	400	125			
MOLA450125ELB90	450	125			
MOLA500125ELB90	500	125			
MOLA600125ELB90	600	125			
MOLA750125ELB90	750	125			
MOLA900125ELB90	900	125			
MOLA1000125ELB90	1000	125			
MOLA200150ELB90	200	150			
MOLA250150ELB90	250	150			
MOLA300150ELB90	300	150			
MOLA400150ELB90	400	150			
MOLA450150ELB90	450	150			
MOLA500150ELB90	500	150			
MOLA600150ELB90	600	150			
MOLA750150ELB90	750	150			
MOLA900150ELB90	900	150			
MOLA1000150ELB90	1000	150			

As Straight Cable Ladder

300 to 900 (Standard Radius 300)

Hot Dip Galvanized - Epoxy or Polyester Coated
- Stainless Steel & Aluminum Alloy

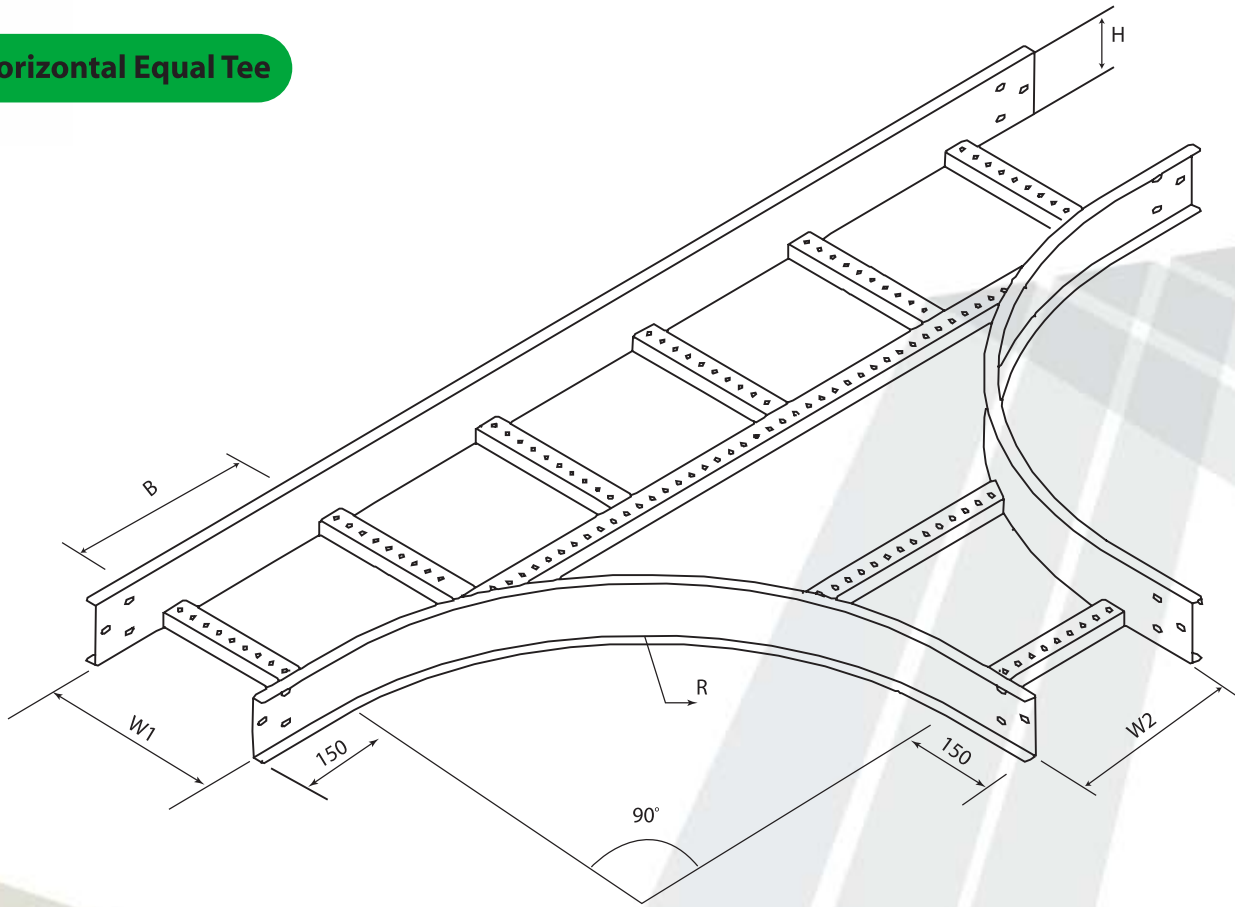
Dimension in Millimeter

Abbreviation : B-Rung Spacing H-Height R- Radius W - Width
 Finish : HDG-Hot Dip Galvanized PG - Pre Galvanized Al - Aluminum Alloy
 SS-Stainless Steel EP - Epoxy Coated PC - Polyester Coated

When ordering please Indicate Material and Finish. We also supply other sizes with the same Rail, Rung profile and various connection slots

Fittings

Horizontal Equal Tee



Rung Spacing 300mm

Model	W1	W2	H	Thickness	Radius	Finish
MOLA1511550HET	150	150	50	As Straight Cable Ladder	300 to 900 (Standard Radius 300)	Hot Dip Galvanized - Epoxy or Polyester Coated - Stainless Steel & Aluminum Alloy
MOLA2020150HET	200	200	50			
MOLA252550HET250	250	50				
MOLA303050HET	300	300	50			
MOLA151575HET	150	150	75			
MOLA202075HET	200	200	75			
MOLA252575HET	250	250	75			
MOLA303075HET	300	300	75			
MOLA1515100HET	150	150	100			
MOLA2020100HET	200	200	100			
MOLA2525100HET	250	250	100			
MOLA3030100HET	300	300	100			
MOLA4040100HET	400	400	100			
MOLA4545100HET	450	450	100			
MOLA5050100HET	500	500	100			
MOLA6060100HET	600	600	100			
MOLA7575100HET	750	750	100			
MOLA9090100HET	900	900	100			
MOLA100100100HET	1000	1000	100			
MOLA2020125HET	200	200	125			

Model	W1	W2	H	Thickness	Radius	Finish
MOLA2525125HET	250	250	125	As Straight Cable Ladder	300 to 900 (Standard Radius 300)	Hot Dip Galvanized - Epoxy or Polyester Coated - Stainless Steel & Aluminum Alloy
MOLA3030125HET	300	300	125			
MOLA4040125HET	400	400	125			
MOLA4545125HET	450	450	125			
MOLA5050125HET	500	500	125			
MOLA6060125HET	600	600	125			
MOLA7575125HET	750	750	125			
MOLA9090125HET	900	900	125			
MOLA100100125HET	1000	1000	125			
MOLA2020150HET	200	200	150			
MOLA2525150HET	250	250	150			
MOLA3030150HET	300	300	150			
MOLA4040150HET	400	400	150			
MOLA4545150HET	450	450	150			
MOLA5050150HET	500	500	150			
MOLA6060150HET	600	600	150			
MOLA7575150HET	750	750	150			
MOLA8080150	800	800	150			
MOLA9090150HET	900	900	150			
MOLA100100150HET	1000	1000	150			

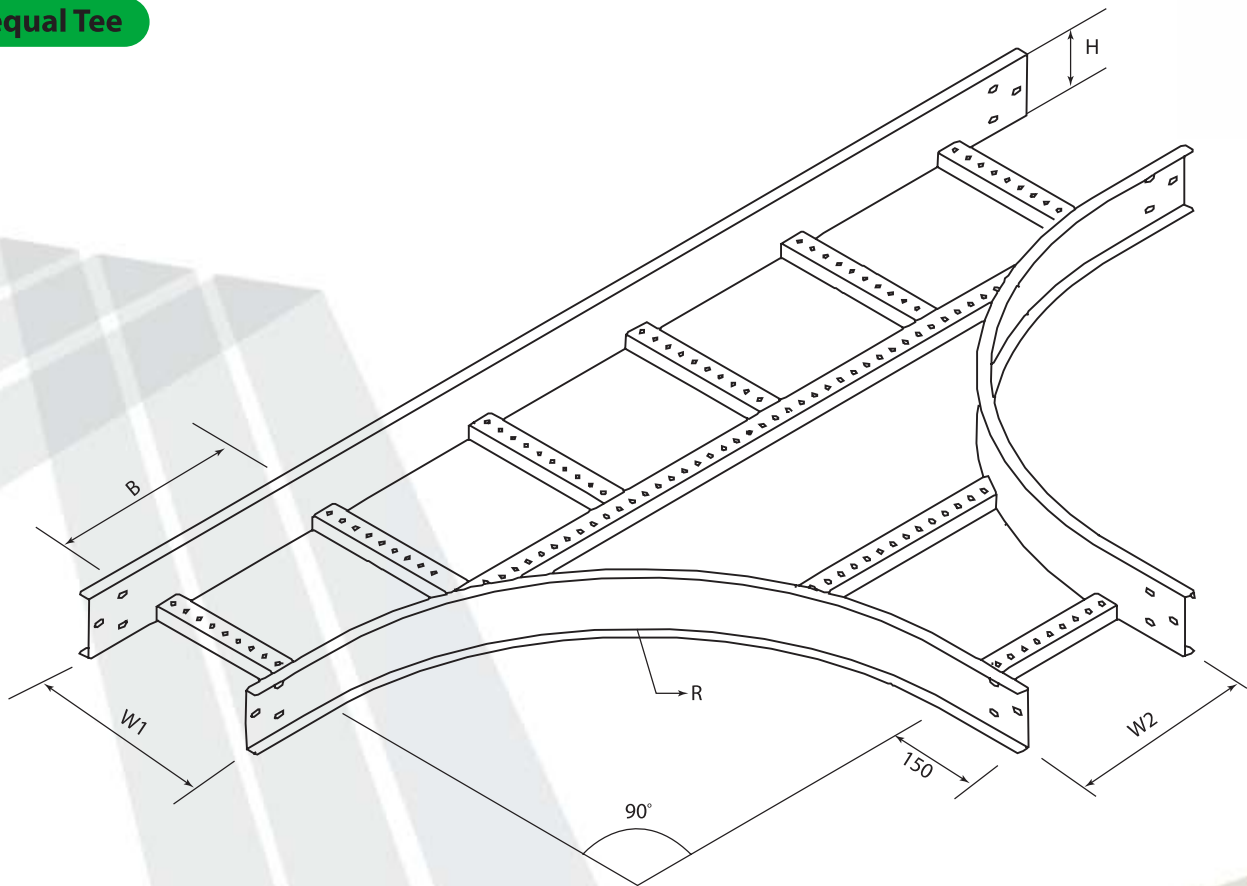
Dimension in Millimeter

Abbreviation : B-Rung Spacing H-Height R- Radius W - Width
 Finish : HDG-Hot Dip Galvanized PG - Pre Galvanized Al - Aluminum Alloy
 SS-Stainless Steel EP - Epoxy Coated PC - Polyester Coated

When ordering please Indicate Material and Finish. We also supply other sizes with the same Rail, Rung profile and various connection slots

Fittings

Unequal Tee



Rung Spacing 300mm

Model	W1	W2	H	Thickness	Radius	Finish
MOLA150W ₂ 50UT	150	200 to 1000	50	As Straight Cable Ladder	300 to 900 (Standard Radius 300)	Hot Dip Galvanized - Epoxy or Polyester Coated - Stainless Steel & Aluminum Alloy
MOLA200W ₂ 50UT	200		50			
MOLA250W ₂ 50UT	250		50			
MOLA300W ₂ 50UT	300		50			
MOLA150W ₂ 75UT	150		75			
MOLA200W ₂ 75UT	200		75			
MOLA250W ₂ 75UT	250		75			
MOLA300W ₂ 75UT	300		75			
MOLA150W ₂ 100UT	150		100			
MOLA200W ₂ 100UT	200		100			
MOLA250W ₂ 100UT	250		100			
MOLA300W ₂ 100UT	300		100			
MOLA400W ₂ 100UT	400		100			
MOLA450W ₂ 100UT	450		100			
MOLA500W ₂ 100UT	500		100			
MOLA600W ₂ 100UT	600		100			
MOLA750W ₂ 100UT	750		100			
MOLA900W ₂ 100UT	900		100			
MOLA1000W ₂ 100UT	1000		100			
MOLA200W ₂ 100UT	200		125			

Model	W1	W2	H	Thickness	Radius	Finish
MOLA250W ₂ 125UT	250	200 to 1000	125	As Straight Cable Ladder	300 to 900 (Standard Radius 300)	Hot Dip Galvanized - Epoxy or Polyester Coated - Stainless Steel & Aluminum Alloy
MOLA300W ₂ 125UT	300		125			
MOLA400W ₂ 125UT	400		125			
MOLA450W ₂ 125UT	450		125			
MOLA500W ₂ 125UT	500		125			
MOLA600W ₂ 125UT	600		125			
MOLA750W ₂ 125UT	750		125			
MOLA900W ₂ 125UT	900		125			
MOLA1000W ₂ 125UT	1000		125			
MOLA200W ₂ 125UT	200		150			
MOLA250W ₂ 125UT	250		150			
MOLA300W ₂ 125UT	300		150			
MOLA400W ₂ 125UT	400		150			
MOLA450W ₂ 125UT	450		150			
MOLA500W ₂ 125UT	500		150			
MOLA600W ₂ 125UT	600		150			
MOLA750W ₂ 125UT	750		150			
MOLA800W ₂ 125UT	800		150			
MOLA900W ₂ 125UT	900		150			
MOLA1000W ₂ 125UT	1000		150			

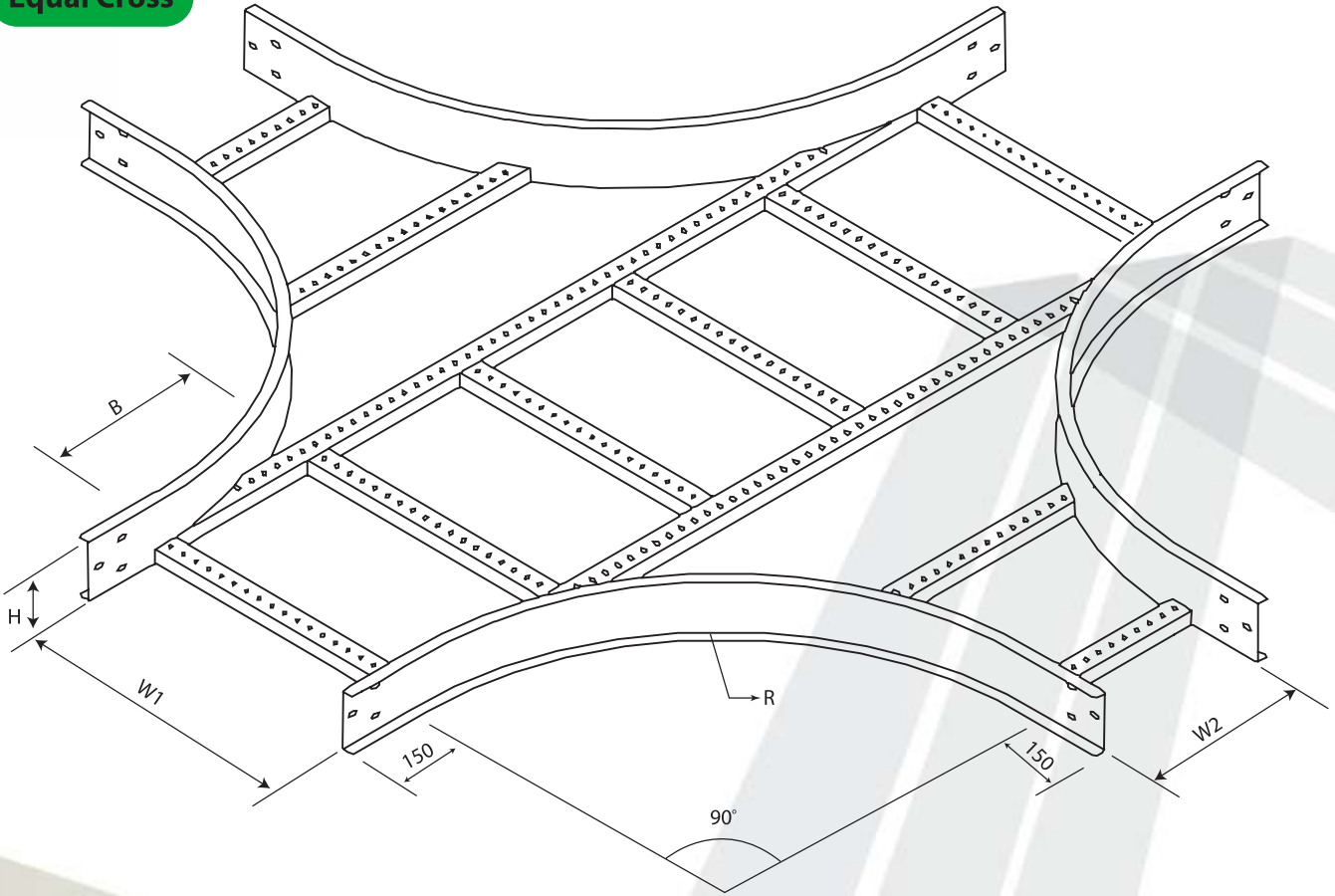
Dimension in Millimeter

Abbreviation : B-Rung Spacing H-Height R- Radius W - Width
 Finish : HDG-Hot Dip Galvanized PG - Pre Galvanized Al - Aluminum Alloy
 SS-Stainless Steel EP - Epoxy Coated PC - Polyester Coated

When ordering please Indicate Material and Finish. We also supply other sizes with the same Rail, Rung profile and various connection slots

Fittings

Equal Cross



Rung Spacing 300mm

Model	W1	W2	H	Thickness	Radius	Finish
MOLA151550EC	150	150	50	As Straight Cable Ladder	300 to 900 (Standard Radius 300)	Hot Dip Galvanized - Epoxy or Polyester Coated - Stainless Steel & Aluminum Alloy
MOLA202050EC	200	200	50			
MOLA252550EC	250	250	50			
MOLA303050EC	300	300	50			
MOLA151575EC	150	150	75			
MOLA202075EC	200	200	75			
MOLA252575EC	250	250	75			
MOLA303075EC	300	300	75			
MOLA1515100EC	150	150	100			
MOLA2020100EC	200	200	100			
MOLA2525100EC	250	250	100			
MOLA3030100EC	300	300	100			
MOLA4040100EC	400	400	100			
MOLA4545100EC	450	450	100			
MOLA5050100EC	500	500	100			
MOLA6060100EC	600	600	100			
MOLA7575100EC	750	750	100			
MOLA90905100EC	900	900	100			
MOLA1001005100EC	1000	1000	100			
MOLA1515125EC	150	150	125			

Model	W1	W2	H	Thickness	Radius	Finish
MOLA2525125EC	250	250	125	As Straight Cable Ladder	300 to 900 (Standard Radius 300)	Hot Dip Galvanized - Epoxy or Polyester Coated - Stainless Steel & Aluminum Alloy
MOLA3030125EC	300	300	125			
MOLA4040125EC	400	400	125			
MOLA4545125EC	450	450	125			
MOLA5050125EC	500	500	125			
MOLA6060125EC	600	600	125			
MOLA7575125EC	750	750	125			
MOLA9090125EC	900	900	125			
MOLA100100125EC	1000	1000	125			
MOLA2020150EC	200	200	150			
MOLA2525150EC	250	250	150			
MOLA3030150EC	300	300	150			
MOLA4040150EC	400	400	150			
MOLA4545150EC	450	450	150			
MOLA5050150EC	500	500	150			
MOLA6060150EC	600	600	150			
MOLA7575150EC	750	750	150			
MOLA8080150EC	800	800	150			
MOLA9090150EC	900	900	150			
MOLA100100150EC	1000	1000	150			

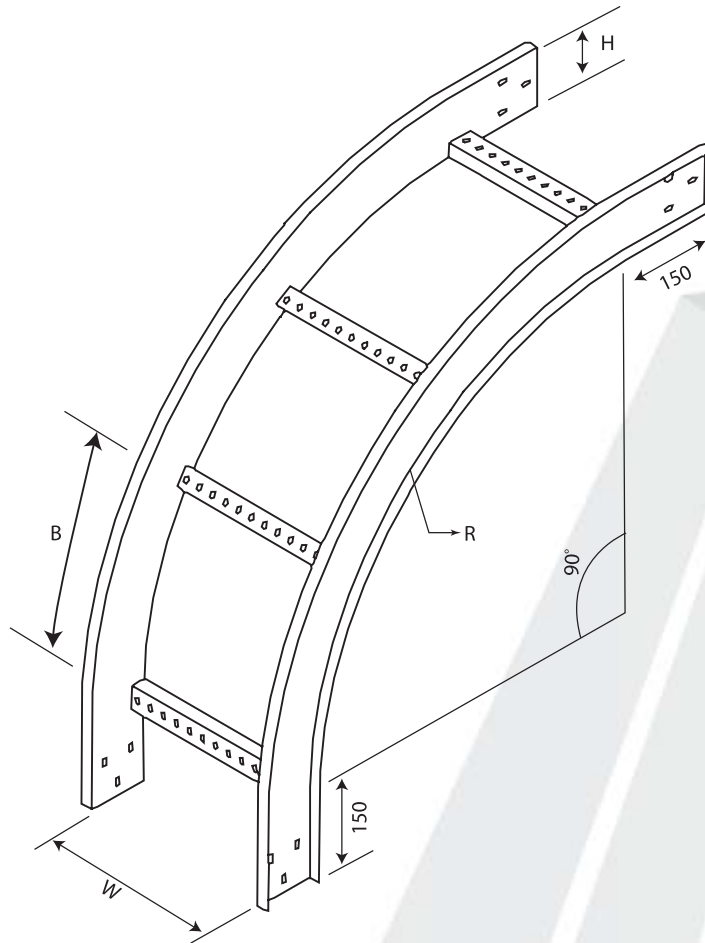
Dimension in Millimeter

Abbreviation : B-Rung Spacing H-Height R- Radius W - Width
 Finish : HDG-Hot Dip Galvanized PG - Pre Galvanized Al - Aluminum Alloy
 SS-Stainless Steel EP - Epoxy Coated PC - Polyester Coated

When ordering please Indicate Material and Finish. We also supply other sizes with the same Rail, Rung profile and various connection slots

Fittings

External Riser



Rung Spacing 300mm

Model	W	H	Thickness	Radius	Finish
MOLA15050ER	150	50	As Straight Cable Ladder	300 to 900 (Standard Radius 300)	Hot Dip Galvanized - Epoxy or Polyester Coated - Stainless Steel & Aluminum Alloy
MOLA20050ER	200	50			
MOLA25050ER	250	50			
MOLA30050ER	300	50			
MOLA15075ER	150	75			
MOLA20075ER	200	75			
MOLA25075ER	250	75			
MOLA30075ER	300	75			
MOLA150100ER	150	100			
MOLA200100ER	200	100			
MOLA250100ER	250	100			
MOLA300100ER	300	100			
MOLA400100ER	400	100			
MOLA450100ER	450	100			
MOLA500100ER	500	100			
MOLA600100ER	600	100			
MOLA750100ER	750	100			
MOLA900100ER	900	100			
MOLA1000100ER	1000	100			
MOLA200125ER	200	125			

Model	W	H	Thickness	Radius	Finish
MOLA250125ER	250	125	As Straight Cable Ladder	300 to 900 (Standard Radius 300)	Hot Dip Galvanized - Epoxy or Polyester Coated - Stainless Steel & Aluminum Alloy
MOLA300125ER	300	125			
MOLA400125ER	400	125			
MOLA450125ER	450	125			
MOLA500125ER	500	125			
MOLA600125ER	600	125			
MOLA750125ER	750	125			
MOLA900125ER	900	125			
MOLA1000125ER	1000	125			
MOLA200150ER	200	150			
MOLA250150ER	250	150			
MOLA300150ER	300	150			
MOLA400150ER	400	150			
MOLA450150ER	450	150			
MOLA500150ER	500	150			
MOLA600150ER	600	150			
MOLA750150ER	750	150			
MOLA900150ER	900	150			
MOLA1000150ER	1000	150			

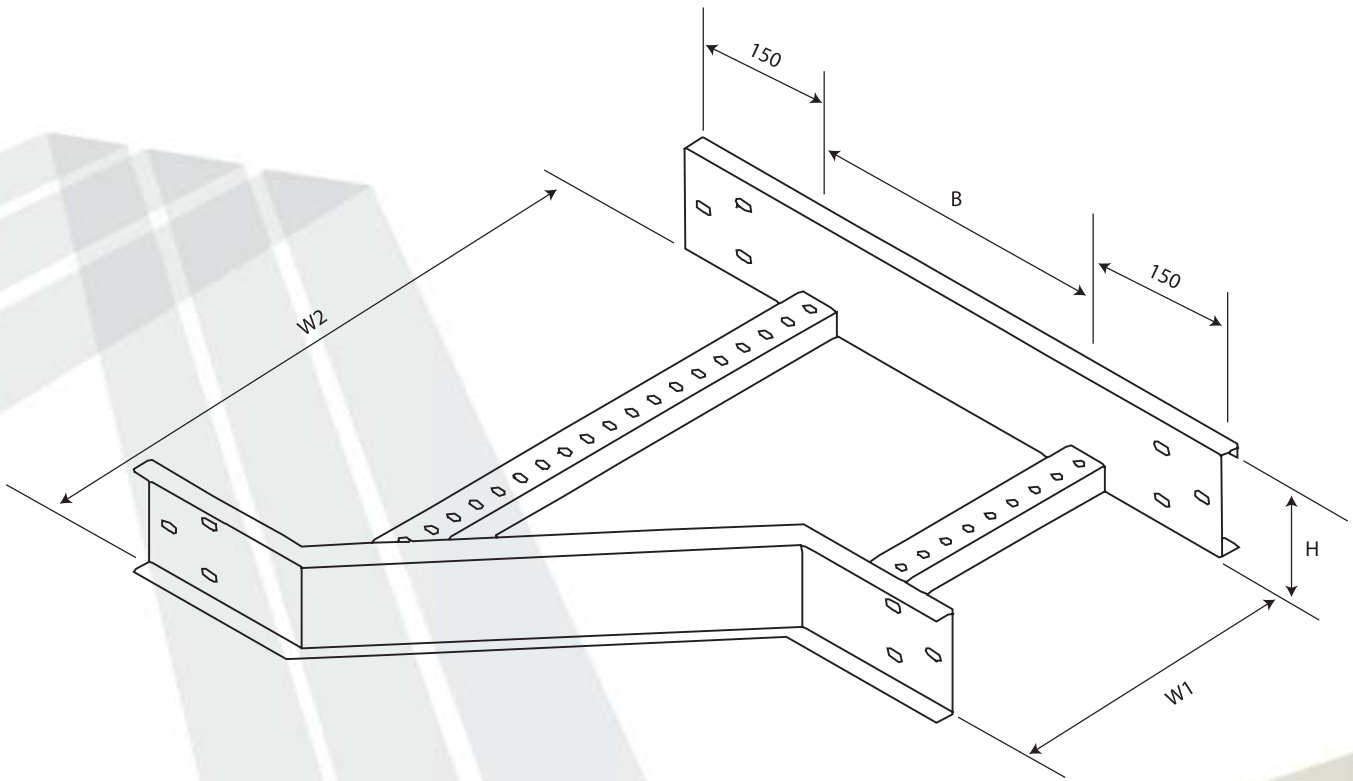
Dimension in Millimeter

Abbreviation : B-Rung Spacing H-Height R- Radius W - Width
 Finish : HDG-Hot Dip Galvanized PG - Pre Galvanized Al - Aluminum Alloy
 SS-Stainless Steel EP - Epoxy Coated PC - Polyester Coated

When ordering please Indicate Material and Finish. We also supply other sizes with the same Rail, Rung profile and various connection slots

Fittings

Left Offset Reducer



Rung Spacing 300mm

Model	W1	W2	H	Thickness	Radius	Finish
MOLA150W2 50LOR	150	200 to 1000	50	As Straight Cable Ladder	300 to 900 (Standard Radius 300)	Hot Dip Galvanized - Epoxy or Polyester Coated - Stainless Steel & Aluminum Alloy
MOLA200W2 50LOR	200		50			
MOLA250W2 50LOR	250		50			
MOLA300W2 50LOR	300		50			
MOLA150W2 75LOR	150		75			
MOLA200W2 75LOR	200		75			
MOLA250W2 75LOR	250		75			
MOLA300W2 75LOR	300		75			
MOLA150W2 100LOR	150		100			
MOLA200W2 100LOR	200		100			
MOLA250W2 100LOR	250		100			
MOLA300W2 100LOR	300		100			
MOLA400W2 100LOR	400		100			
MOLA450W2 100LOR	450		100			
MOLA500W2 100LOR	500		100			
MOLA600W2 100LOR	600		100			
MOLA750W2 100LOR	750		100			
MOLA900W2 100LOR	900		100			
MOLA1000W2 100LOR	1000		100			
MOLA200W2 100LOR	200		125			

Model	W1	W2	H	Thickness	Radius	Finish
MOLA250W2 125LOR	250	200 to 1000	125	As Straight Cable Ladder	300 to 900 (Standard Radius 300)	Hot Dip Galvanized - Epoxy or Polyester Coated - Stainless Steel & Aluminum Alloy
MOLA300W2 125LOR	300		125			
MOLA400W2 125LOR	400		125			
MOLA450W2 125LOR	450		125			
MOLA500W2 125LOR	500		125			
MOLA600W2 125LOR	600		125			
MOLA750W2 125LOR	750		125			
MOLA900W2 125LOR	900		125			
MOLA1000W2 125LOR	1000		125			
MOLA200W2 125LOR	200		150			
MOLA250W2 125LOR	250		150			
MOLA300W2 125LOR	300		150			
MOLA400W2 125LOR	400		150			
MOLA450W2 125LOR	450		150			
MOLA500W2 125LOR	500		150			
MOLA600W2 125LOR	600		150			
MOLA750W2 125LOR	750		150			
MOLA800W2 125LOR	800		150			
MOLA900W2 125LOR	900		150			
MOLA1000W2 125LOR	1000		150			

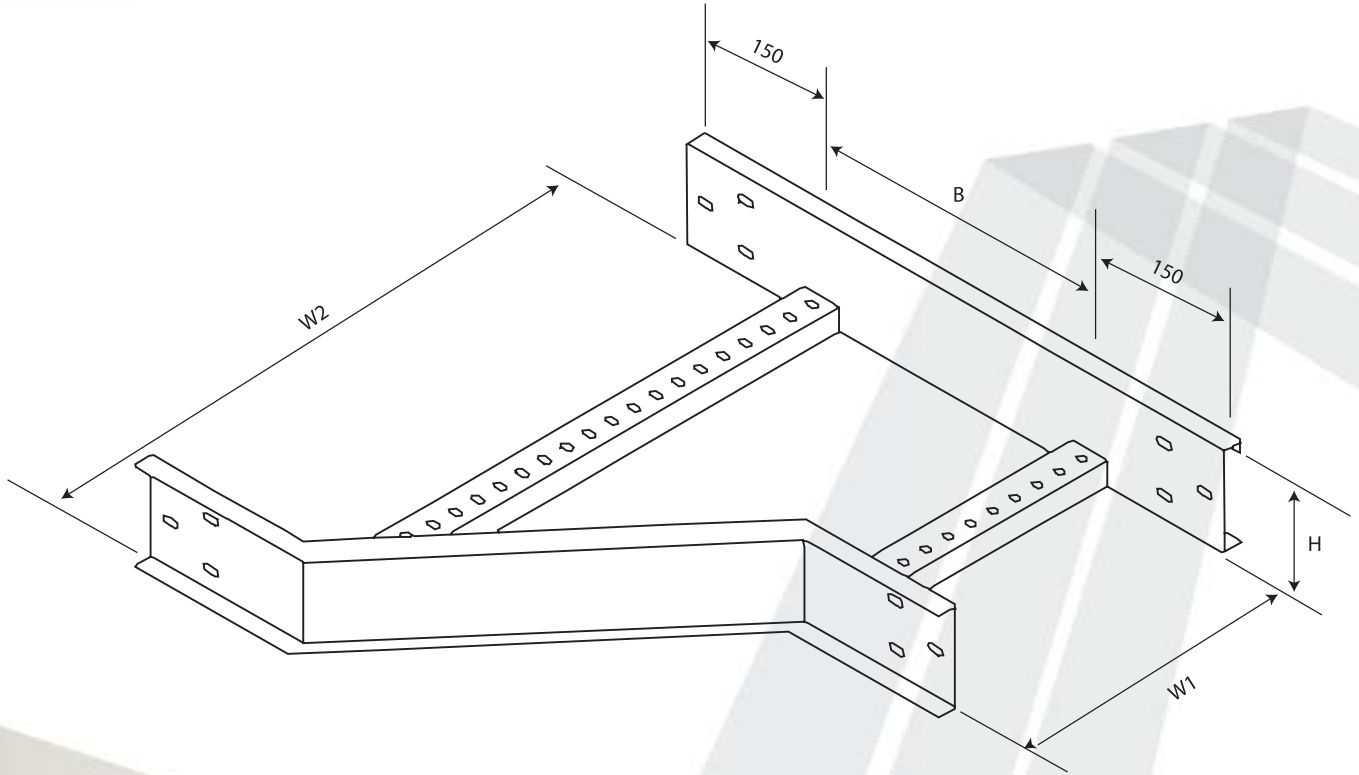
Dimension in Millimeter

Abbreviation : B-Rung Spacing H-Height R- Radius W- Width
 Finish : HDG-Hot Dip Galvanized PG - Pre Galvanized Al - Aluminum Alloy
 SS-Stainless Steel EP - Epoxy Coated PC - Polyester Coated

When ordering please Indicate Material and Finish. We also supply other sizes with the same Rail, Rung profile and various connection slots

Fittings

Right Offset Reducer



Rung Spacing 300mm

Model	W1	W2	H	Thickness	Radius	Finish
MOLA150W ₂ 50ROR	150	200 to 1000	50	As Straight Cable Ladder	300 to 900 (Standard Radius 300)	Hot Dip Galvanized - Epoxy or Polyester Coated - Stainless & Aluminum Alloy
MOLA200W ₂ 50ROR	200		50			
MOLA250W ₂ 50ROR	250		50			
MOLA300W ₂ 50ROR	300		50			
MOLA150W ₂ 75ROR	150		75			
MOLA200W ₂ 75ROR	200		75			
MOLA250W ₂ 75ROR	250		75			
MOLA300W ₂ 75ROR	300		75			
MOLA150W ₂ 100ROR	150		100			
MOLA200W ₂ 100ROR	200		100			
MOLA250W ₂ 100ROR	250		100			
MOLA300W ₂ 100ROR	300		100			
MOLA400W ₂ 100ROR	400		100			
MOLA450W ₂ 100ROR	450		100			
MOLA500W ₂ 100ROR	500		100			
MOLA600W ₂ 100ROR	600		100			
MOLA750W ₂ 100ROR	750		100			
MOLA900W ₂ 100ROR	900		100			
MOLA1000W ₂ 100ROR	1000		100			
MOLA200W ₂ 125ROR	200		125			

Model	W1	W2	H	Thickness	Radius	Finish
MOLA250W ₂ 125ROR	250	200 to 1000	125	As Straight Cable Ladder	300 to 900 (Standard Radius 300)	Hot Dip Galvanized - Epoxy or Polyester Coated - Stainless & Aluminum Alloy
MOLA300W ₂ 125ROR	300		125			
MOLA400W ₂ 125ROR	400		125			
MOLA450W ₂ 125ROR	450		125			
MOLA500W ₂ 125ROR	500		125			
MOLA600W ₂ 125ROR	600		125			
MOLA750W ₂ 125ROR	750		125			
MOLA900W ₂ 125ROR	900		125			
MOLA1000W ₂ 125ROR	1000		125			
MOLA200W ₂ 150ROR	200		150			
MOLA250W ₂ 150ROR	250		150			
MOLA300W ₂ 150ROR	300		150			
MOLA400W ₂ 150ROR	400		150			
MOLA450W ₂ 150ROR	450		150			
MOLA500W ₂ 150ROR	500		150			
MOLA600W ₂ 150ROR	600		150			
MOLA750W ₂ 150ROR	750		150			
MOLA800W ₂ 150ROR	800		150			
MOLA900W ₂ 150ROR	900		150			
MOLA1000W ₂ 150ROR	1000		150			

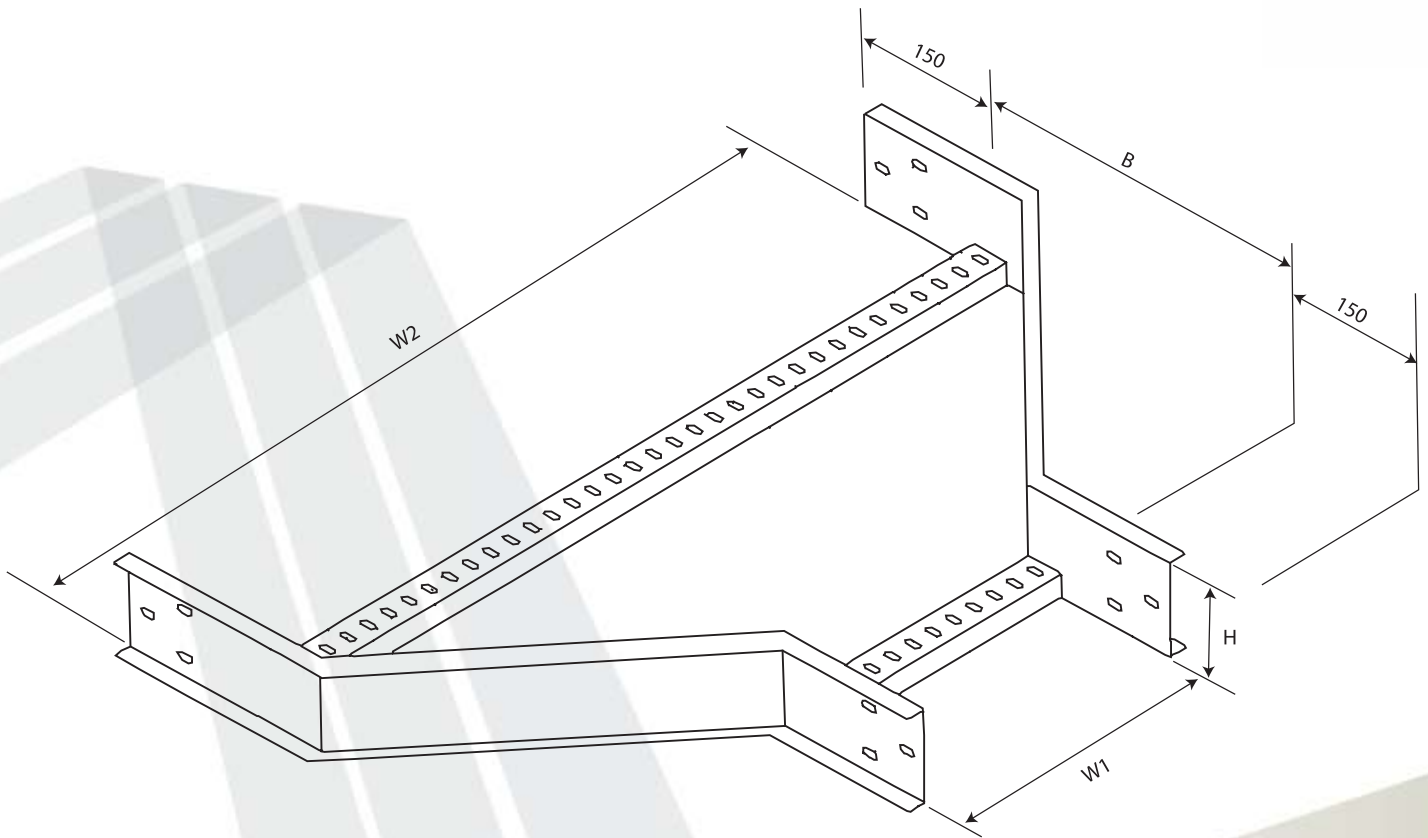
Dimension in Millimeter

Abbreviation : B-Rung Spacing H-Height R- Radius W - Width
 Finish : HDG-Hot Dip Galvanized PG - Pre Galvanized Al - Aluminum Alloy
 SS-Stainless Steel EP - Epoxy Coated PC - Polyester Coated

When ordering please Indicate Material and Finish. We also supply other sizes with the same Rail, Rung profile and various connection slots

Fittings

Straight Reducer



Rung Spacing 300mm

Model	W1	W2	H	Thickness	Radius	Finish
MOLA150W ₂ 50SR	150	200 to 1000	50	As Straight Cable Ladder	300 to 900 (Standard Radius 300)	Hot Dip Galvanized - Epoxy or Polyester Coated - Stainless Steel & Aluminum Alloy
MOLA200W ₂ 50SR	200		50			
MOLA250W ₂ 50SR	250		50			
MOLA300W ₂ 50SR	300		50			
MOLA150W ₂ 75SR	150		75			
MOLA200W ₂ 75SR	200		75			
MOLA250W ₂ 75SR	250		75			
MOLA300W ₂ 75SR	300		75			
MOLA150W ₂ 100SR	150		100			
MOLA200W ₂ 100SR	200		100			
MOLA250W ₂ 100SR	250		100			
MOLA300W ₂ 100SR	300		100			
MOLA400W ₂ 100SR	400		100			
MOLA450W ₂ 100SR	450		100			
MOLA500W ₂ 100SR	500		100			
MOLA600W ₂ 100SR	600		100			
MOLA750W ₂ 100SR	750		100			
MOLA900W ₂ 100SR	900		100			
MOLA1000W ₂ 100SR	1000		100			
MOLA200W ₂ 100SR	200		125			

Model	W1	W2	H	Thickness	Radius	Finish
MOLA250W ₂ 125SR	250	200 to 1000	125	As Straight Cable Ladder	300 to 900 (Standard Radius 300)	Hot Dip Galvanized - Epoxy or Polyester Coated - Stainless Steel & Aluminum Alloy
MOLA300W ₂ 125SR	300		125			
MOLA400W ₂ 125SR	400		125			
MOLA450W ₂ 125SR	450		125			
MOLA500W ₂ 125SR	500		125			
MOLA600W ₂ 125SR	600		125			
MOLA750W ₂ 125SR	750		125			
MOLA900W ₂ 125SR	900		125			
MOLA1000W ₂ 125SR	1000		125			
MOLA200W ₂ 125SR	200		150			
MOLA250W ₂ 125SR	250		150			
MOLA300W ₂ 125SR	300		150			
MOLA400W ₂ 125SR	400		150			
MOLA450W ₂ 125SR	450		150			
MOLA500W ₂ 125SR	500		150			
MOLA600W ₂ 125SR	600		150			
MOLA750W ₂ 125SR	750		150			
MOLA800W ₂ 125SR	800		150			
MOLA900W ₂ 125SR	900		150			
MOLA1000W ₂ 125SR	1000		150			

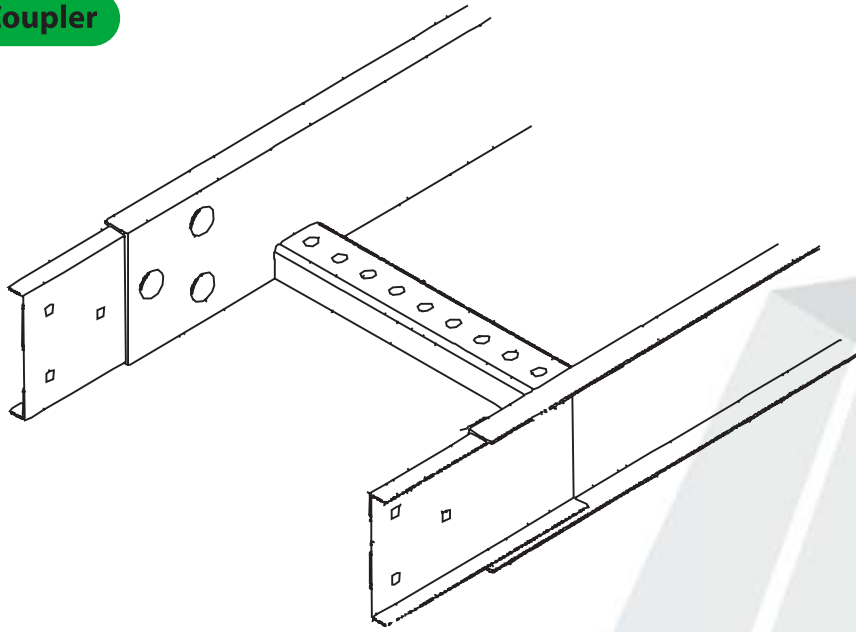
Dimension in Millimeter

Abbreviation : B-Rung Spacing H-Height L-Length W - Width
 Finish : HDG-Hot Dip Galvanized PG - Pre Galvanized Al - Aluminum Alloy
 SS-Stainless Steel EP - Epoxy Coated PC - Polyester Coated

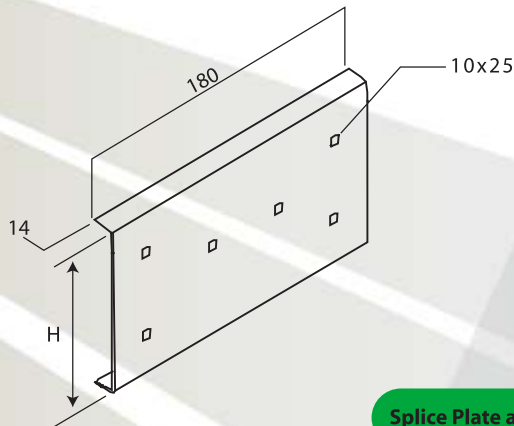
When ordering please Indicate Material and Finish. We also supply other sizes with the same Rail, Rung profile and various connection slots

Accessories

Straight Coupler

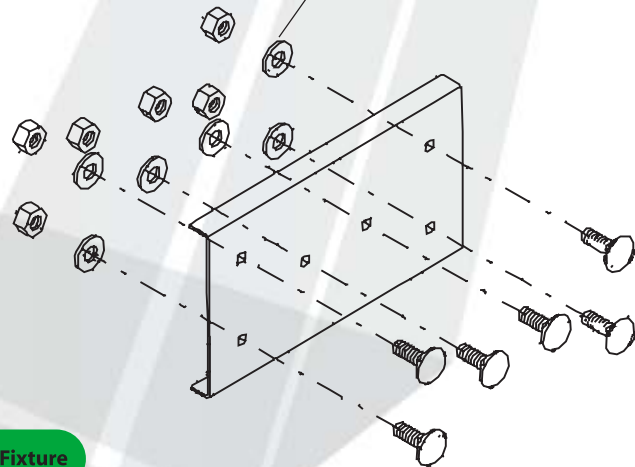


Application



Splice Plate and Fixture

Cup Head Sq Neck screw
M8 x 20 with Hex nut
and Flat washer
Total 6 sets per Connection



Model	H	Description	Finish
MOLA50SC	50	Horizontal Splice Plate with Fixture for 100mm - 125mm - 150mm Height Cable Ladder	Hot dip Galvanized - Epoxy or Polyester Coated - Stainless Steel & Aluminum Alloy
MOLA75SC	75		
MOLA100SC	100		
MOLA125SC	125		
MOLA150SC	150		

Dimension in Millimeter

Abbreviation : H-Height

Finish : HDG-Hot Dip Galvanized PG - Pre Galvanized Al - Aluminum Alloy
SS-Stainless Steel EP - Epoxy Coated PC - Polyester Coated

When ordering please Indicate Material and Finish. We also supply other sizes with the same Rail, Rung profile and various connection slots

Notes:



A large, faint, stylized graphic of a cable ladder system, showing multiple parallel rungs and side rails, rendered in shades of gray and blue, positioned diagonally across the page. The graphic is overlaid on a background of horizontal dotted lines intended for notes.

Coverage Unlimited



Corporate Office MIDDLE EAST
Jv-One MIDDLE EAST FZE
P.O Box: 16653 Rakftz, Ras Al Khaimah UAE
Email: venture@jv-one.com

Manufacturing Office SAUDI ARABIA
Jv-One Saudi Company
Corporate Office Saudi Arabia
P.O Box: 3081, Al Dammam-31471 KSA
Email: sales@jv-one.com

